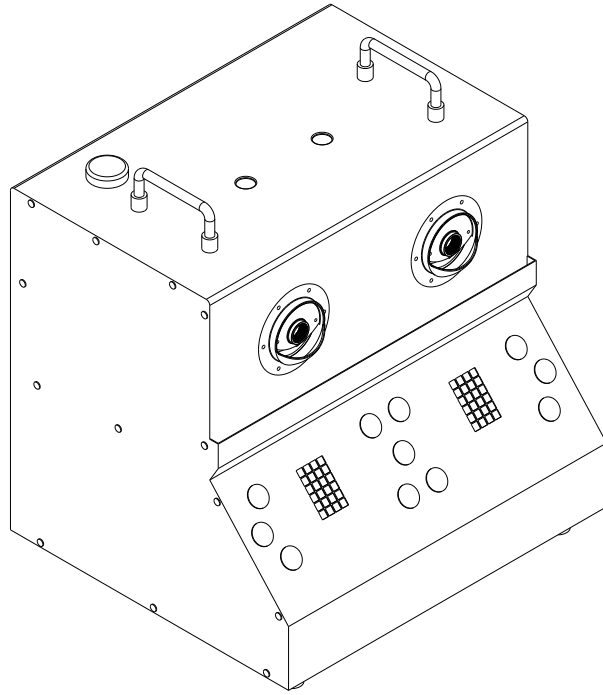


BT-BUBBLEFOG



ENGLISH Operation Manual

Other languages can be downloaded from:
WWW.BRITEQ-LIGHTING.COM



Version: 1.0





EN - DISPOSAL OF THE DEVICE

Dispose of the unit and used batteries in an environment friendly manner according to your country regulations.

FR - DÉCLASSER L'APPAREIL

Débarrassez-vous de l'appareil et des piles usagées de manière écologique Conformément aux dispositions légales de votre pays.

NL - VERWIJDEREN VAN HET APPARAAT

Verwijder het toestel en de gebruikte batterijen op een milieuvriendelijke manier conform de in uw land geldende voorschriften.

DU - ENTSORGUNG DES GERÄTS

Entsorgen Sie das Gerät und die Batterien auf umweltfreundliche Art und Weise gemäß den Vorschriften Ihres Landes.

ES - DESHACERSE DEL APARATO

Reciclar el aparato y pilas usadas de forma ecologica conforme a las disposiciones legales de su país.

PT - COMO DESFAZER-SE DA UNIDADE

Tente reciclar a unidade e as pilhas usadas respeitando o ambiente e em conformidade com as normas vigentes no seu país.

OPERATION MANUAL

Thank you for buying this BRITEQ® product. To take full advantage of all possibilities and for your own safety, please read these operating instructions very carefully before you start using this unit.

FEATURES

- Powerful bubble and fog machine combination with 11 pcs of 8Watt-RGBA LED's.
- Each effect can be used individually or combined to produce bubbles filled with fog.
- Equipped with a double fan to blow the bubbles and/or smoke meters away
- Controllable via:
 - 4 or 11 DMX channels
 - Wireless remote control (included)
 - Build-in timer
 - Manual activation
- Prepared for wireless DMX: just plug-in an optional WTR-DMX DONGLE ! (Briteq® code: 4645)
- Uses regular water based Bubble Liquid and Fog Liquid
- Optional omega clamp = Briteq Omega Bracket Small (Order Code B02677)

BEFORE USE

- Before you start using this unit, please check if there's no transportation damage. Should there be any, do not use the device and consult your dealer first.
- **Important:** This device left our factory in perfect condition and well packaged. It is absolutely necessary for the user to strictly follow the safety instructions and warnings in this user manual. Any damage caused by mishandling is not subject to warranty. The dealer will not accept responsibility for any resulting defects or problems caused by disregarding this user manual.
- Keep this booklet in a safe place for future consultation. If you sell the fixture, be sure to add this user manual.

Check the contents:

Check if the carton contains the following items:

- Operating instructions
- BT-BUBBLEFOG effect machine
- Power Cable
- Wireless remote controller

SAFETY INSTRUCTIONS:



CAUTION
RISK OF ELECTRIC SHOCK
DO NOT OPEN



CAUTION: To reduce the risk of electric shock, do not remove the top cover. No user-serviceable parts inside. Refer servicing to qualified service personnel only.



The lightning flash with arrowhead symbol within the equilateral triangle is intended to alert the user or the presence of un-insulated "dangerous voltage" within the product's enclosure that may be of sufficient magnitude to constitute a risk of electric shock.



The exclamation point within the equilateral triangle is intended to alert the user to the presence of important operation and maintenance (servicing) instructions in the literature accompanying this appliance.



This symbol means: indoor use only.



This symbol means: Read instructions.



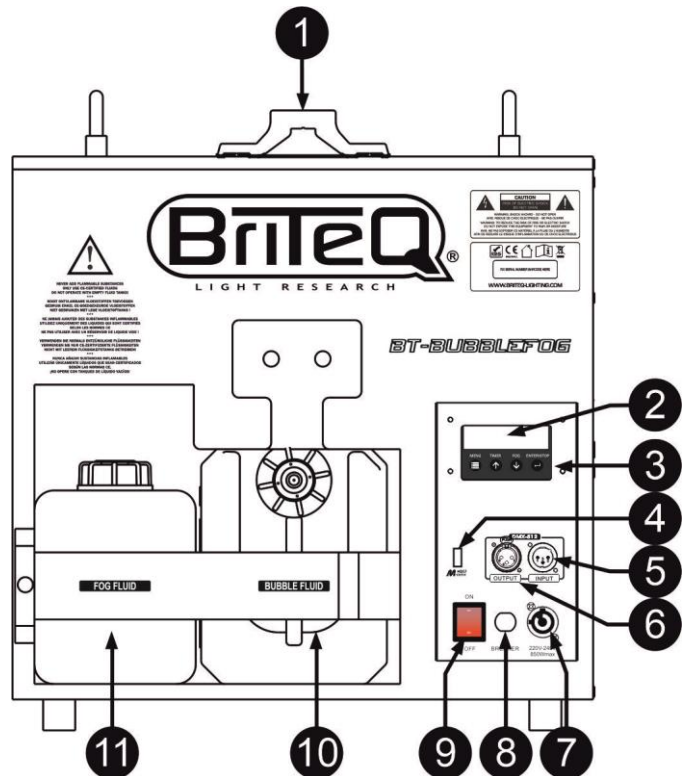
This symbol determines: the minimum distance from objects. The minimum distance between fogger output and objects must be more than 1 meter.

- To protect the environment, please try to recycle the packing material as much as possible.
- To prevent fire or shock hazard, do not expose this appliance to rain or moisture.

- To avoid condensation to be formed inside, allow the unit to adapt to the surrounding temperatures when bringing it into a warm room after transport. Condense sometimes prevents the unit from working at full performance or may even cause damages.
- This unit is for indoor use only.
- Don't place metal objects or spill liquid inside the unit. Electric shock or malfunction may result. If a foreign object enters the unit, immediately disconnect the mains power.
- Locate the unit in a well ventilated spot, away from any flammable materials and/or liquids.
- Don't cover any ventilation openings as this may result in overheating.
- Prevent use in dusty environments and clean the unit regularly.
- Keep the unit away from children.
- Inexperienced persons should not operate this device.
- Maximum save ambient temperature is 40°C. Don't use this unit at higher ambient temperatures.
- The units' surface temperature may reach up to 85°C. Don't touch the housing with bare hands during its operation.
- Make sure to always place the unit on a stable surface, never install the fogger above the audience, a little liquid can always drip from the fog output.
- Allow the device about 10 minutes to cool down before you start servicing.
- Always unplug the unit when it is not used for a longer time or before you start servicing.
- Check that the available voltage is not higher than the one stated on the rear panel of the unit.
- The power cord should always be in perfect condition. Switch the unit immediately off when the power cord is squashed or damaged. It must be replaced by the manufacturer, its service agent or similarly qualified persons in order to avoid a hazard.
- Never let the power-cord come into contact with other cables!
- This unit must be earthed in order comply with safety regulations.
- In order to prevent electric shock, do not open the cover.
- **Never** repair a fuse or bypass the fuse holder. **Always** replace a damaged fuse with a fuse of the same type and electrical specifications!
- In the event of serious operating problems, stop using the fixture and contact your dealer immediately.
- The housing must be replaced if they are visibly damaged.
- Please use the original packing when the device is to be transported.
- Due to safety reasons it is prohibited to make unauthorized modifications to the unit.

DESCRIPTION:

1. **OMEGA BRACKET:** this optional omega bracket can be used to hang the unit in a truss.
2. **DISPLAY** shows the various menus and the selected functions.
3. **CONTROL PANEL:**
 - **MODE button:** press several times to navigate through the option menu
 - **TIMER & UP button:** used to increase the selected value. When no dmx cable is connected, this button will start the automatic timer working mode
 - **FOG & DOWN button:** used to decrease the selected value. When no dmx cable is connected, this button will start the manual working mode
 - **ENTER/STOP button:** used to confirm the selected value. When no dmx cable is connected, this button will stop the automatic timer or manual working mode



4. **M-DMX INPUT:** Please note that this USB-connector is NOT used for updates or to connect the unit to a PC! Instead this USB-connector makes it very easy to add wireless DMX to the unit! Just add the (optional) WTR-DMX DONGLE from BRITEQ® and you will get wireless DMX! Moreover, you will be able to connect other DMX-controlled equipment to the DMX-output so you can share the wireless DMX function with all connected units! No extra settings to be made in the setup menu, just follow the procedure in the user manual supplied with the WTR-DMX DONGLE from BRITEQ®. The separate WTR-DMX DONGLE is available from WWW.BRITEQ-LIGHTING.COM (order code: 4645)
5. **DMX INPUT:** 3-pin male connector, used to connect the fogger directly to a DMX-controller or to the previous unit in the DMX chain.
6. **DMX OUTPUT:** 3-pin female connector, used to connect the fogger with the next unit in the DMX chain.
7. **MAINS CONNECTOR:** insert the supplied mains cable here and connect it to in a mains wall socket with earth connection.
8. **BREAKER:** first locate and solve the problem that caused the breaker to be activated. When the problem is solved, push the button to reset the breaker.
9. **POWER SWITCH:** used to switch the machine ON/OFF
10. **BUBBLE FLUID RESERVOIR:** to be filled with CE-certified bubble fluid. Make sure that the fluid container is never empty during operation.
11. **FOG FLUID RESERVOIR:** to be filled with CE-certified smoke fluid. Make sure that the fog fluid container is never empty during operation; this will damage the pump of the fogger.



MENU SETTINGS:

READY TO WORK

This message will be shown on the display as soon as the machine is ready to be used. When the unit is just started up, the heating element of the fogger needs some time to warm up until it reaches its ideal working temperature.

DMX512 ADDRESS

Used to set the start address when the unit is used in a DMX chain.

- Press the MENU button until DMX512 ADDRESS is shown on the display.
- Use the DOWN and UP buttons to change the DMX address.
- Once the correct address is shown on the display, press the ENTER button to confirm.

DMX512 MODE

Used to choose the DMX channel mode.

- Press the MENU button until DMX512 MODE is shown on the display.
- Use the DOWN and UP buttons to change the DMX mode (4CH or 11CH).
- Once the correct mode is shown on the display, press the ENTER button to confirm.

BUBBLE

Used to activate/deactivate the production of bubbles when the machine is used in MANUAL or TIMER mode or with the wireless remote controller

- Press the MENU button until BUBBLE is shown on the display.
- Use the DOWN and UP buttons to select ON (bubbles) or OFF (no bubbles).
- Once the correct mode is shown on the display, press the ENTER button to confirm.

HAZE OUTPUT

Used to set the amount of smoke that should be produced when the machine is used in MANUAL or TIMER mode or with the wireless remote controller

- Press the MENU button until HAZE OUTPUT is shown on the display.
- Use the DOWN and UP buttons to select OFF (no fog) or a value between 1% and 100% (amount of fog).
- Once the correct mode is shown on the display, press the ENTER button to confirm.

FAN SPEED

Used to set the speed of the fans when the machine is used in MANUAL or TIMER mode or with the wireless remote controller. This will define how far the smoke/bubbles should be blown away.

- Press the MENU button until FAN SPEED is shown on the display.
- Use the DOWN and UP buttons to select a value between 1% (slow speed) and 100% (max speed).
- Once the correct mode is shown on the display, press the ENTER button to confirm.

REMARK: when you set the speed to 100% and Bubbles are used, the maximum speed will be automatically reduced to the maximum speed for the use with bubbles. This is to prevent the bubbles from being blown to pieces. When no bubbles are used, the speed will go to 100%

LED COLOR

Used to set the color that should be produced when the machine is used in MANUAL or TIMER mode or with the wireless remote controller

- Press the MENU button until LED COLOR is shown on the display.
- Use the DOWN and UP buttons to select the desired color mode:
 - OFF
 - RED
 - GREEN
 - BLUE
 - AMBER
 - CYAN
 - YELLOW
 - PURPLE
 - WHITE
 - SLOW FADE
 - FAST FADE
 - SLOW SCROLL
 - FAST SCROLL
- Once the correct mode is shown on the display, press the ENTER button to confirm.

INTERVAL SET

Used to set the interval time between each program activation

- Press the MENU button until INTERVAL SET is shown on the display.
- Use the DOWN and UP buttons to select an interval between 1 and 600 seconds.
- Once the correct interval is shown on the display, press the ENTER button to confirm.

DURATION SET

Used to set the duration of the program

- Press the MENU button until DURATION SET is shown on the display.
- Use the DOWN and UP buttons to select a duration between 2 and 255 seconds.
- Once the correct duration is shown on the display, press the ENTER button to confirm.

CLEAN MODE

Used to automatically clean the fluid tubes after each use;

WE STRONGLY ADVISE TO SWITCH THIS FUNCTION ON

- Press the MENU button until CLEAN MODE is shown on the display.
- Use the DOWN and UP buttons to select ON (automatic cleaning activated) or OFF (automatic cleaning deactivated).
- Once the desired mode is shown on the display, press the ENTER button to confirm.

FIRMWARE VERSION

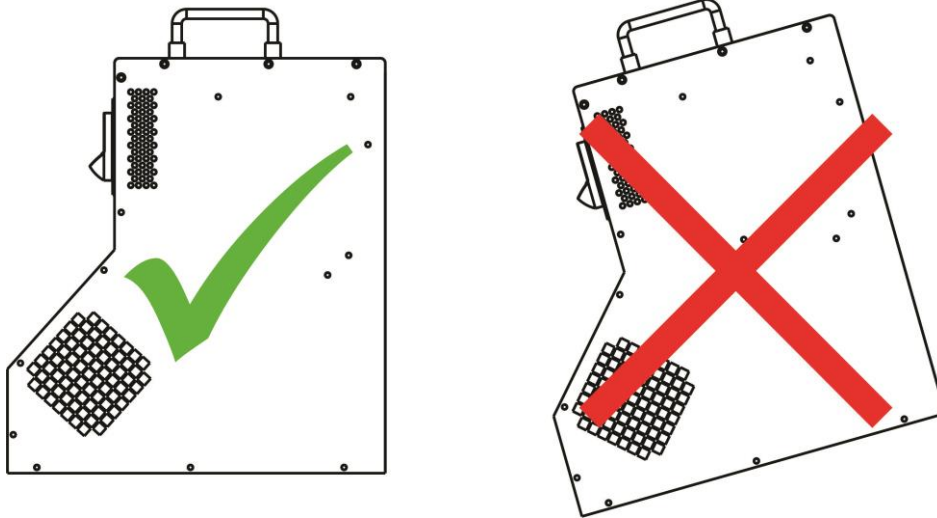
Used to check the installed firmware version

- Press the MENU button until FIRMWARE VERSION is shown on the display.

GENERAL OPERATING INSTRUCTIONS

IMPORTANT

The unit must always be installed so that the bottom of the unit is perfectly horizontal. The unit must not be inclined forward, otherwise the bubble fluid will leak.



- Put the machine on a flat and very stable surface. Make sure that nobody can put their hands just in front of the output.
- Make sure the fog liquid tank and the bubble liquid tank are not empty. Always use good quality liquid to fill up the tanks. Close the tank immediately to prevent dirt to enter the reservoir!
- Make sure to plug the machine in a mains wall socket with earth connection
- Switch the unit on and wait for about 3 to 4 minutes if you want to use the smoke generator. (warm up time)

WARNING: NEVER use the machine with an empty reservoir. This can damage the pump !

WIRELESS REMOTE CONTROLLED:

First make all the desired settings manually in the menu. (see previous chapter MENU SETTINGS)
These menu options can be adapted:

- BUBBLE (on or off)
- HAZE OUTPUT (amount of fog)
- FAN SPEED
- LED COLOR

Once this is done, you can use the wireless remote controller to start the automatic program (button on top) or to stop it (button below)

Important: don't forget to pull out the antenna of the wireless remote controller for a better signal transmission.



TIMER CONTROLLED:

First make all the desired settings manually in the menu. (see previous chapter MENU SETTINGS)
These menu options can be adapted:

- BUBBLE (on or off)
- HAZE OUTPUT (amount of fog)
- FAN SPEED
- LED COLOR
- INTERVAL SET
- DURATION SET

Once this is done, press the UP / TIMER button to start the automatic program
To stop the TIMER, press the ENTER / STOP button

MANUAL CONTROL:

First make all the desired settings manually in the menu. (see previous chapter MENU SETTINGS)

These menu options can be adapted:

- BUBBLE (on or off)
- HAZE OUTPUT (amount of fog)
- FAN SPEED
- LED COLOR

Once this is done, press the DOWN / FOG button to activate the machine

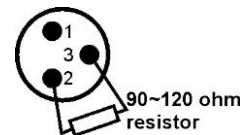
To stop, press the ENTER / STOP button

DMX-OPERATION:

⚠ Important: The electrical installation should be carried out by qualified personal only, according to the regulations for electrical and mechanical safety in your country.

Electrical installation:

- The DMX-protocol is a widely used high speed signal to control intelligent light and other equipment. You need to “daisy chain” your DMX controller and all the connected units with a good quality balanced cable.
- Both XLR-3pin and XLR-5pin connectors are used, however XLR-3pin is more popular because these cables are compatible with balanced audio cables.
Pin layout XLR-3pin: Pin1 = GND ~ Pin2 = Negative signal (-) ~ Pin3 = Positive signal (+)
Pin layout XLR-5pin: Pin1 = GND ~ Pin2 = Negative signal (-) ~ Pin3 = Positive signal (+) ~ Pins4+5 not used.
- To prevent strange behavior of the light effects, due to interferences, you must use a 90Ω to 120Ω terminator at the end of the chain. Never use Y-splitter cables, this simply won't work!
- Make sure that all units are connected to the mains.
- Each unit in the chain needs to have its proper starting address so it knows which commands from the controller it has to decode.



WIRELESS DMX-OPERATION:

All the settings are the same as for the normal wired DMX operation. Only the DMX XLR input connector will not be used; the signal will come in via the optional M-DMX Dongle.

Remark: The signal that is received via the wireless M-DMX Dongle will also be transmitted to the DMX output XLR connector. This means you can still connect other units to the BT_BUBBLEFOG via a normal DMX cable

4 CHANNEL MODE

CH	Function	Value	Details
CH 1	FOG	000-005	OFF
		006-255	ON → from low volume to high volume
CH 2	BUBBLES	000-005	OFF
		006-255	ON
CH 3	FAN	000-005	OFF
		006-255	ON → from low speed to high speed
CH 4	COLOR MACRO	000-015	NO color
		015-024	Red
		025-045	Green
		046-066	Blue
		067-087	Amber
		088-108	Light Blue
		109-129	Yellow
		130-150	Purple
		151-171	White
		172-213	Color Fade with speed control 172=Slow to 213=Fast
214-255	Color Scroll with speed control 214=Slow to 255=Fast		

11 CHANNEL MODE

CH	Function	Value	Details	
CH 1	FOG	000-005	OFF	
		006-255	ON → from low volume to high volume	
CH 2	BUBBLES	000-005	OFF	
		006-255	ON	
CH 3	FAN	000-005	OFF	
		006-255	ON → from low speed to high speed	
CH 4	DIMMER	000-255	MANUAL COLOR settings	
CH 5	RED	000-255		
CH 6	GREEN	000-255		
CH 7	BLUE	000-255		
CH 8	AMBER	000-255		
CH 9	STROBE	000-015		Strobe OFF
		016-255		Strobe (slow to fast)
CH 10	COLOR MACRO	000-015		NO color
		015-024	Red	
		025-045	Green	
		046-066	Blue	
		067-087	Amber	
		088-108	Light Blue	
		109-129	Yellow	
		130-150	Purple	
		151-171	White	
		172-213	Color Fade with speed control 172=Slow to 213=Fast	
214-255	Color Scroll with speed control 214=Slow to 255=Fast			
CH 11	Bubble Cleaning	000-005	OFF	
		006-255	Cleaning mode ON	

OVERHEAD RIGGING

IMPORTANT

The unit must always be installed so that the bottom of the unit is perfectly horizontal. The unit must not be inclined forward, otherwise the bubble fluid will leak.

Important: The installation must be carried out by qualified service personal only. Improper installation can result in serious injuries and/or damage to property. Overhead rigging requires extensive experience! Working load limits should be respected, certified installation materials should be used, the installed device should be inspected regularly for safety.

- Make sure the area below the installation place is free from unwanted persons during rigging, de-rigging and servicing.
- Locate the fixture in a well ventilated spot, far away from any flammable materials and/or liquids. The fixture must be fixed **at least 50cm** from surrounding walls.
- The device should be installed out of reach of people and outside areas where persons may walk by or be seated.
- Before rigging make sure that the installation area can hold a minimum point load of 10times the device's weight.
- Always use a certified safety cable that can hold 12times the weight of the device when installing the unit. This secondary safety attachment should be installed in a way that no part of the installation can drop more than 20cm if the main attachment fails.
- The device should be well fixed; a free-swinging mounting is dangerous and may not be considered!
- Don't cover any ventilation openings as this may result in overheating.
- The operator has to make sure that the safety-relating and machine-technical installations are approved by an expert before using them for the first time. The installations should be inspected every year by a skilled person to be sure that safety is still optimal.

MAINTENANCE

- Switch off the unit, unplug the mains cable and wait until the unit has been cooled down.

During inspection the following points should be checked:

- All screws used for installing the device and any of its parts should be tightly fastened and may not be corroded.
- Housings, fixations and installations spots (ceiling, truss, suspensions) should be totally free from any deformation.
- The mains cables must be in impeccable condition and should be replaced immediately when even a small problem is detected.

Cleaning the fogger:

To prevent obstructions in the heater, pump and tubes, the fogger should be cleaned on a regular basis: every 100h of continuous operation is a good reference.

Attention: We strongly recommend internal cleaning to be carried out by qualified personnel!

SPECIFICATIONS

This unit is radio-interference suppressed. This product meets the requirements of the current European and national guidelines. Conformity has been established and the relevant statements and documents have been deposited by the manufacturer.

This device has been designed to produce decorative effect lighting and is used in light show systems.

Mains Input:	220-240 V, 50/60 Hz
Max. Power Consumption:	850 Watt
DMX Channels:	4 & 11
Breaker:	5A/250V
Warm up time:	3 min
Max Fog Output Volume:	4.500 cfm
Tank size:	2.5 L Fog Fluid + 5L Bubble Fluid
Fog Fluid Consumption:	60 min/L @ 100%
Bubble Fluid Consumption:	40 min/L
LEDs:	11 x 8W RGBA (red-green-blue-amber)
Dimension:	455 x 400 x 450 mm
Weight:	16 kg

All the information is subject to change without prior notice

You can download the latest version of this user manual on our website: www.briteq-lighting.com



MAILING LIST

EN: Subscribe today to our mailing list for the latest product news!

FR: Inscrivez-vous à notre liste de distribution si vous souhaitez suivre l'actualité de nos produits!

NL: Abonneer je vandaag nog op onze mailinglijst en ontvang ons laatste product nieuws!

DE: Abonnieren Sie unseren Newsletter und erhalten Sie aktuelle Produktinformationen!

ES: Suscríbete hoy a nuestra lista de correo para recibir las últimas noticias!

PT: Inscreva-se hoje na nossa mailing list para estar a par das últimas notícias!

WWW.BRITEQ-LIGHTING.COM

Copyright © 2022 by BEGLEC NV

't Hofveld 2C ~ B1702 Groot-Bijgaarden ~ Belgium

Reproduction or publication of the content in any manner, without express permission of the publisher, is prohibited.